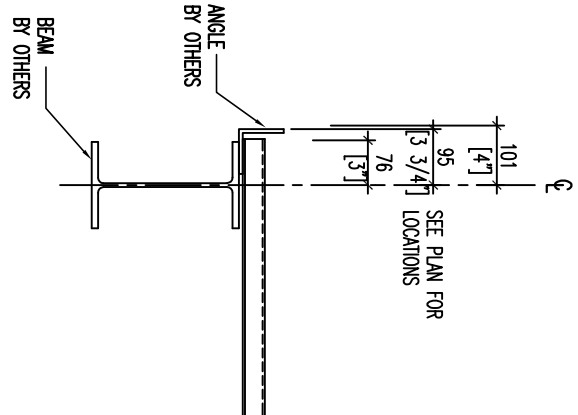
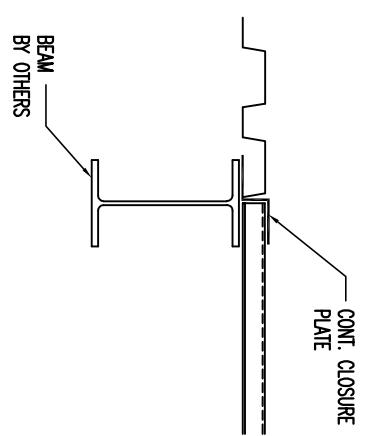


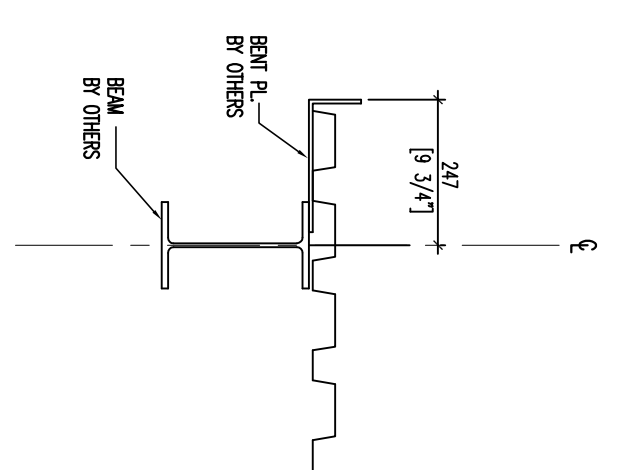
SECTION 1  
N.T.S.



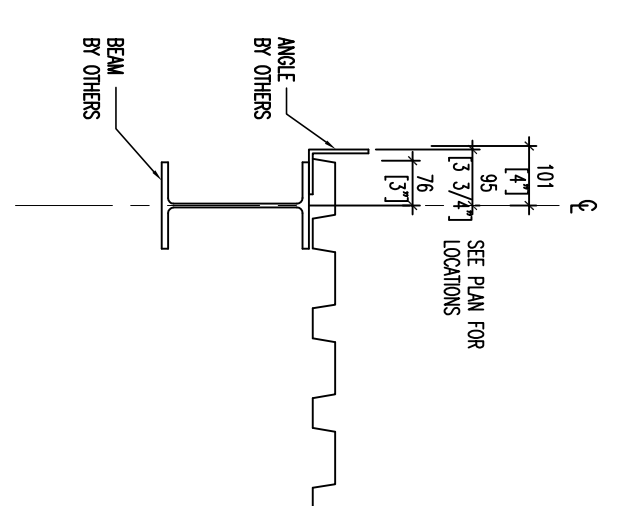
SECTION 2  
N.T.S.



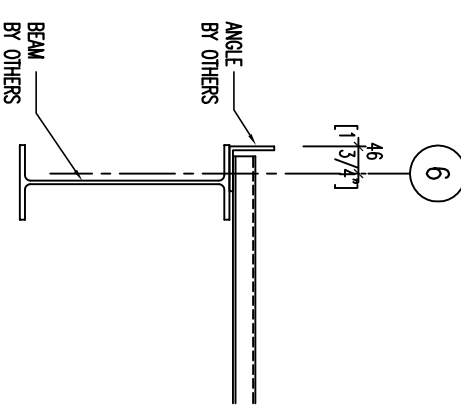
SECTION 3  
N.T.S.



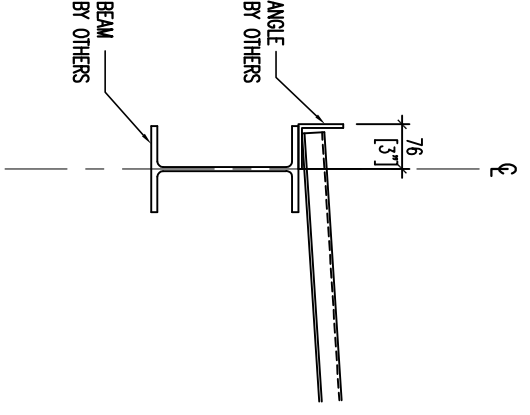
SECTION 4  
N.T.S.



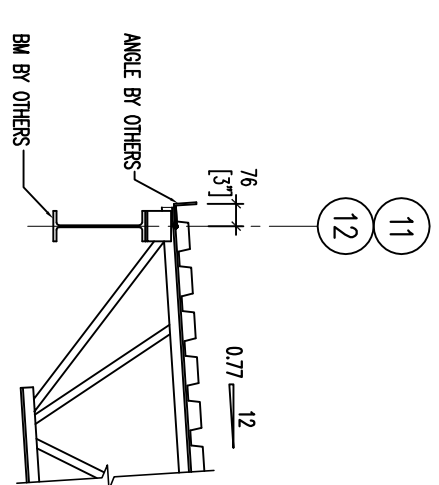
SECTION 5  
N.T.S.



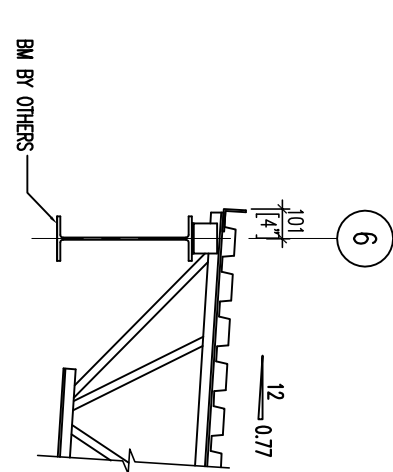
SECTION 6  
N.T.S.



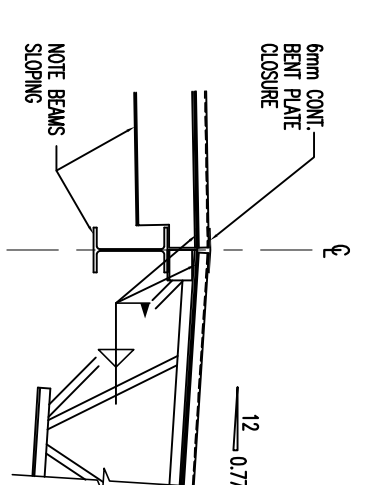
SECTION 7  
N.T.S.



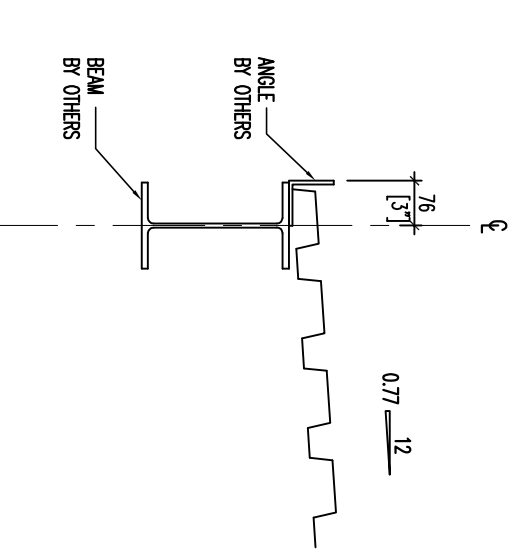
SECTION 8  
N.T.S.



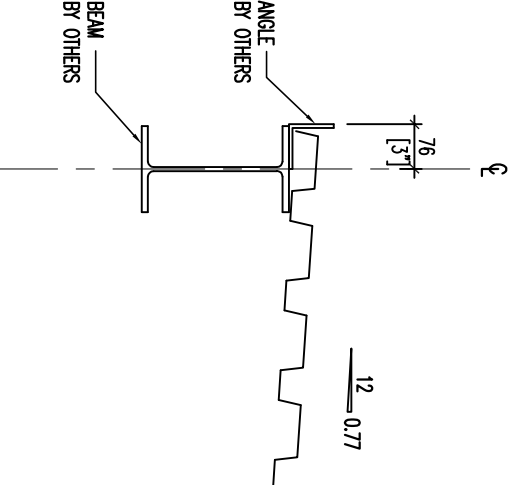
SECTION 9  
N.T.S.



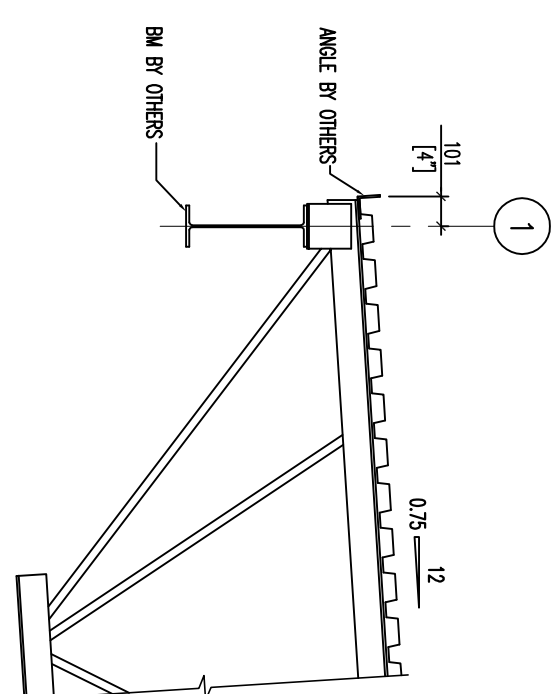
SECTION 10  
N.T.S.



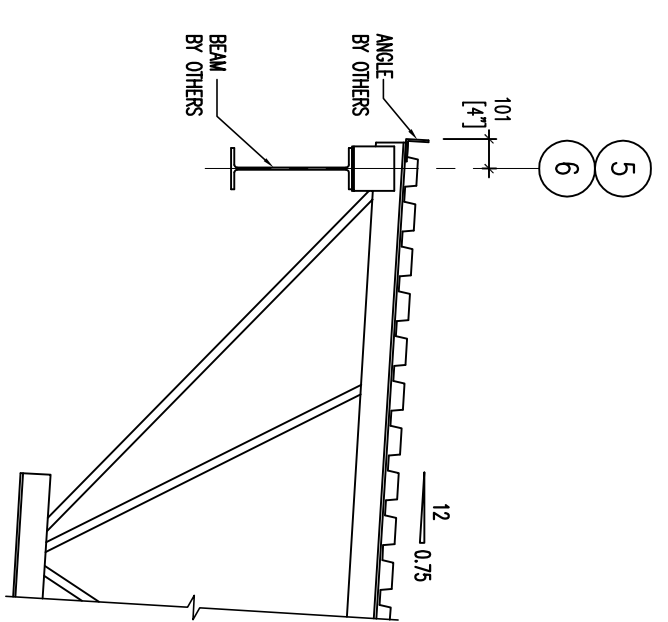
SECTION 11  
N.T.S.



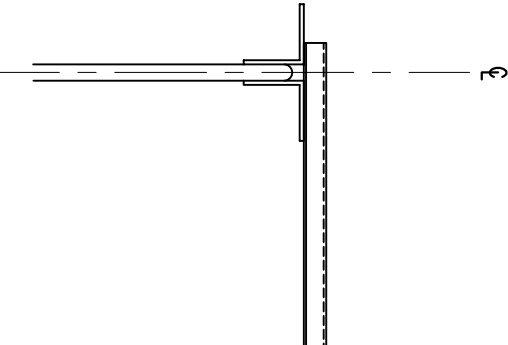
SECTION 12  
N.T.S.



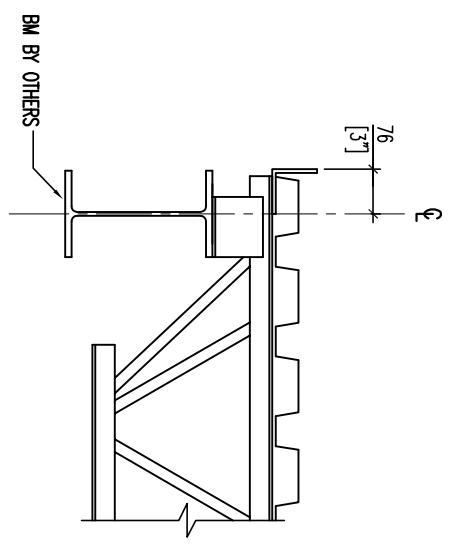
SECTION 13  
N.T.S.



SECTION 14  
N.T.S.



SECTION 15  
N.T.S.



SECTION 16  
N.T.S.

REV No	DATE	DESCRIPTION
0	11/19/10	ISSUED FOR APPROVAL

2510 Ouellette  
Suite L01  
Windsor, Ontario  
N8X 1L4  
Phone: (519) 962-9637  
Fax: (519) 962-9633  
www.canadianjoist.ca  
drafting@canadianjoist.ca



JOB NAME BARRHAVEN FIRE STATION NO. 47 -DECK SECTS.		DTLR. S.A.L.	CHKR. C.P./R
LOCATION OTTAWA, ON	ENGINEER NAME HALSALL		
ARCHITECT NAME CSV ARCHITECTS	CUSTOMER BLACK ANVIL IRON WORKS	NMBS JOB. NUMBER 8010-0704	
DATE 2010-10-26	JOB NO. 10-123	CUSTOMER P.O. NUMBER	
DRAWING NO. D2.0	REV.		

For Approval Only  
NOT FOR CONSTRUCTION